



# SPARE PARTS LIST

EARLY ENTRY SAWS  
SOFF CUT 5000, 2022-09

---

PROVIDED BY



PARTS & SUPPLIES

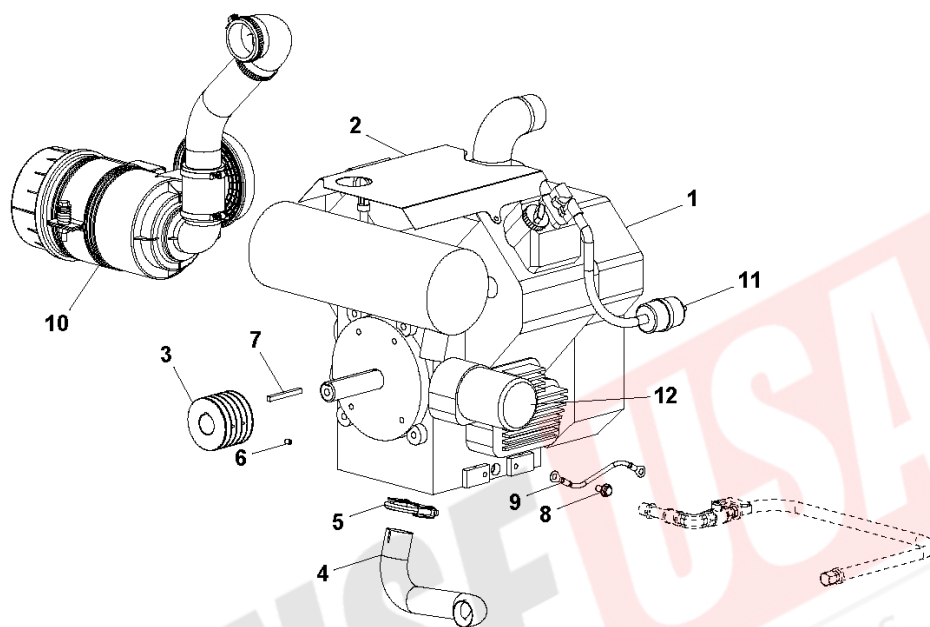
**AUTHORIZED HUSQVARNA DEALER**

## NEED HELP IDENTIFYING A PART?

Our parts team is here to help you.

**PHONE** +1 (202) 630-1027  
**EMAIL** [customerservice@danseusa.com](mailto:customerservice@danseusa.com)  
**WEB** [www.danseusa.com](http://www.danseusa.com)

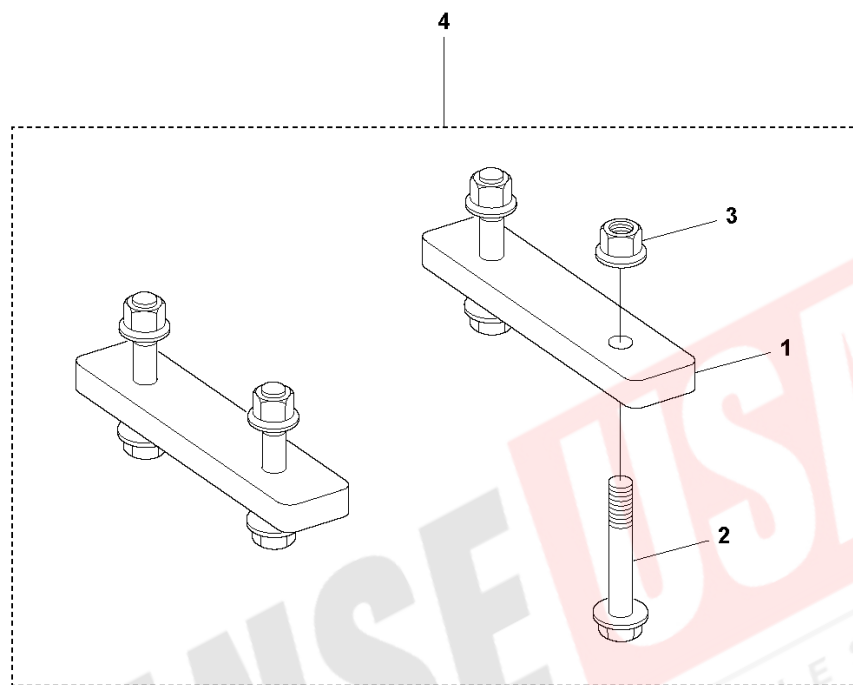
**A** SOFF CUT X5000  
ENGINE ASSEMBLY



Ref	Part No	Description	Remark	QTY KIT
1	505 66 65-02	ENGINE		1
2	510 32 37-01	SHROUD		1
3	510 32 60-01	PULLEY		1
4	510 32 59-01	EXHAUST		1
5	510 32 71-01	CLAMP		1
6	542 02 05-68	SCREW	SHSS, .25-20 x .375 HK	4
7	542 19 90-45	KEY		1
8	585 97 56-01	SCREW EHHFM	FLG HD M8 X 1.25 X 16	1
9	575 44 66-05	KIT		1
10	575 66 09-02	AIR FILTER ASSY		1
11	505 79 82-01	FUEL FILTER		1
12	505 79 74-01	OIL FILTER		1

**DANSE USA**  
PARTS & SUPPLIES

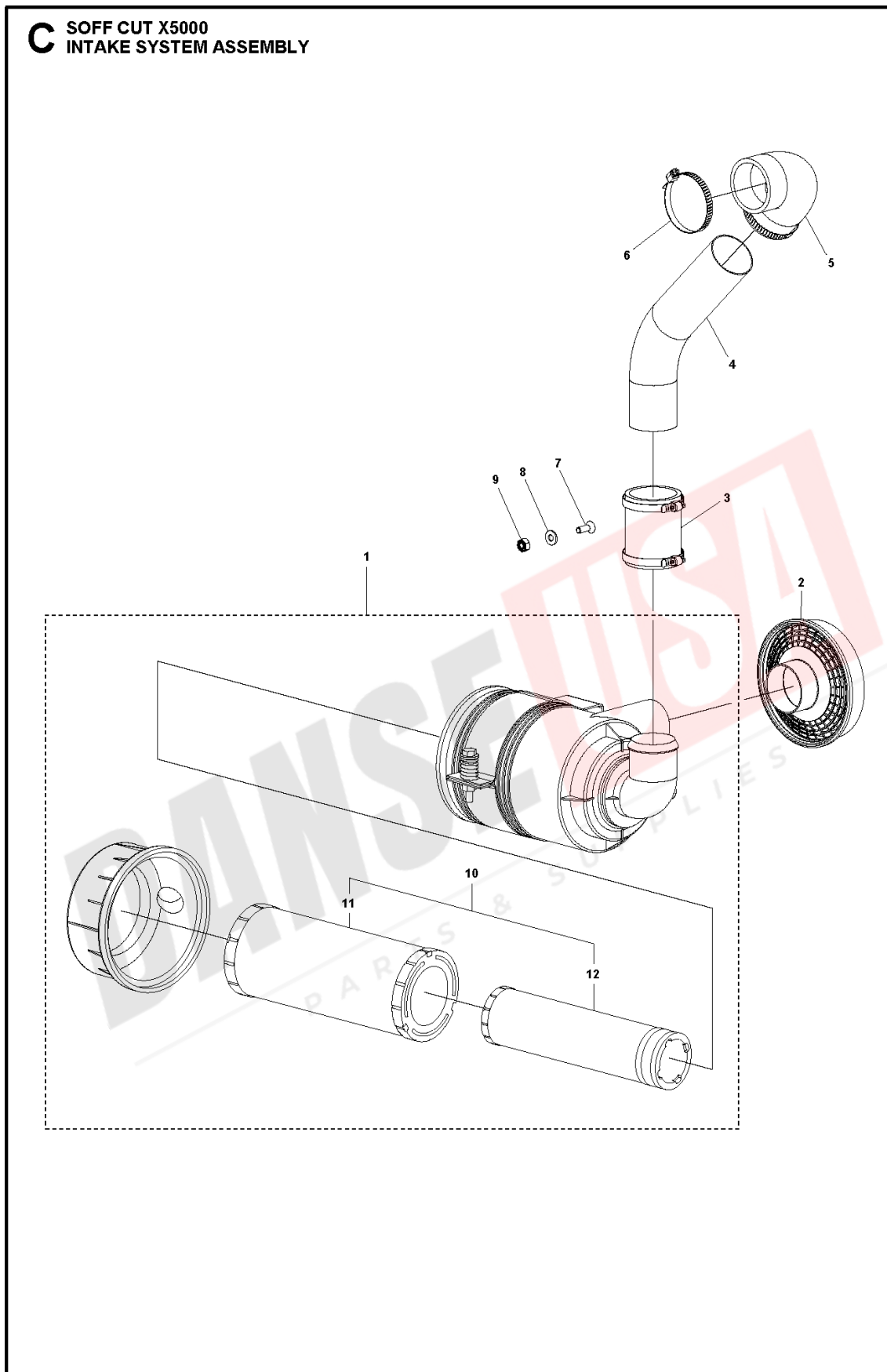
**B** SOFF CUT X5000  
KIT, MOTOR MOUNT



Ref	Part No	Description	Remark	QTY	KIT
1	501 08 06-01	PLATE		2	4
2	581 24 33-01	SCREW EHHFM		4	4
3	576 64 57-05	NUT FLANGE		4	4
4	582 23 87-01	MOTOR KIT		1	

**DANSE USA**  
PARTS & SUPPLIES

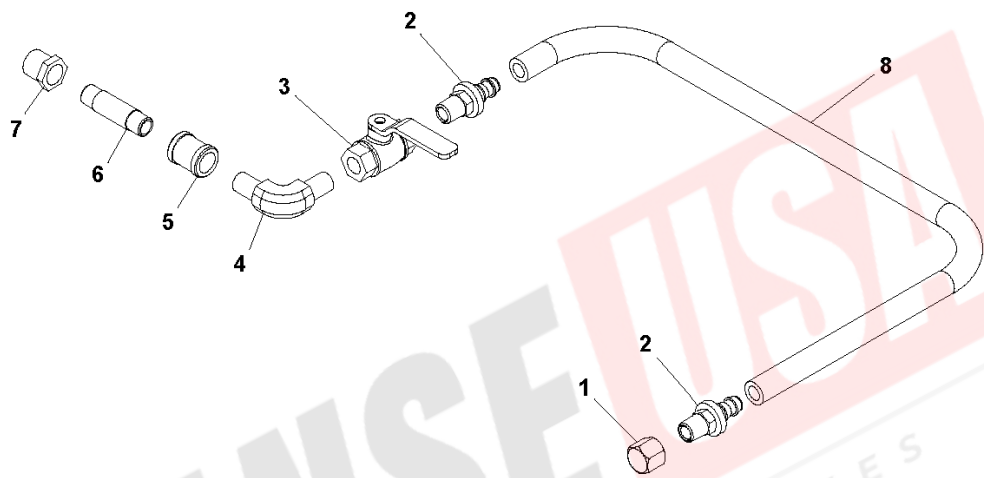
**C** SOFF CUT X5000  
INTAKE SYSTEM ASSEMBLY



Ref	Part No	Description	Remark	QTY KIT
1	505 83 61-01	AIR CLEANER	Kit, Incl. canister, cap, inner filter & outer filter.	1
2	505 83 63-01	HOOD		1
3	575 65 42-03	HOSE		1
4	510 32 39-01	INTAKE ELBOW		1
5	505 74 50-02	ELBOW		1
6	542 16 66-31	HOSE CLAMP	Worm drive SAE36	4
7	505 62 86-01	SCREW		2
8	505 63 20-01	WASHER		2
9	539 97 69-78	NUT		2
10	536 79 59-01	DECAL	Air filter kit (air filter 1-pack)	1
10	505 48 23-06	FILTER	Air filter kit (2 inner filters & 2 outer filters)	1
11	505 79 80-01	AIR FILTER		1 1, 10
12	505 79 81-01	AIR FILTER		1 1, 10



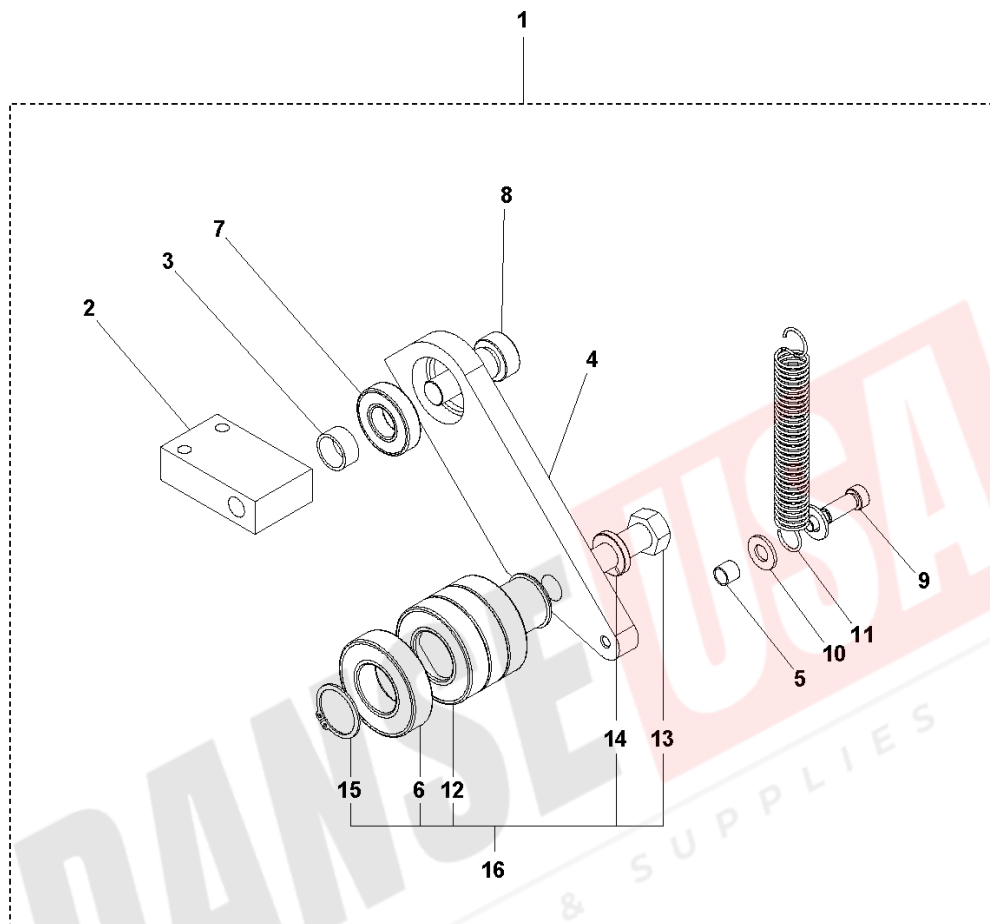
**D** SOFF CUT X5000  
KIT, OIL DRAIN



Ref	Part No	Description	Remark	QTY KIT
1	505 77 66-01	CAP		1
2	505 73 86-01	FITTING		2
3	505 73 89-01	VALVE		1
4	505 73 87-01	ADAPTER		1
5	505 79 66-01	FITTING		1
6	505 79 65-01	NIPPLE		1
7	505 79 64-01	BUSHING		1
8	598 42 44-01	HOSE	2 ft. service	1

**DANSE USA**  
PARTS & SUPPLIES

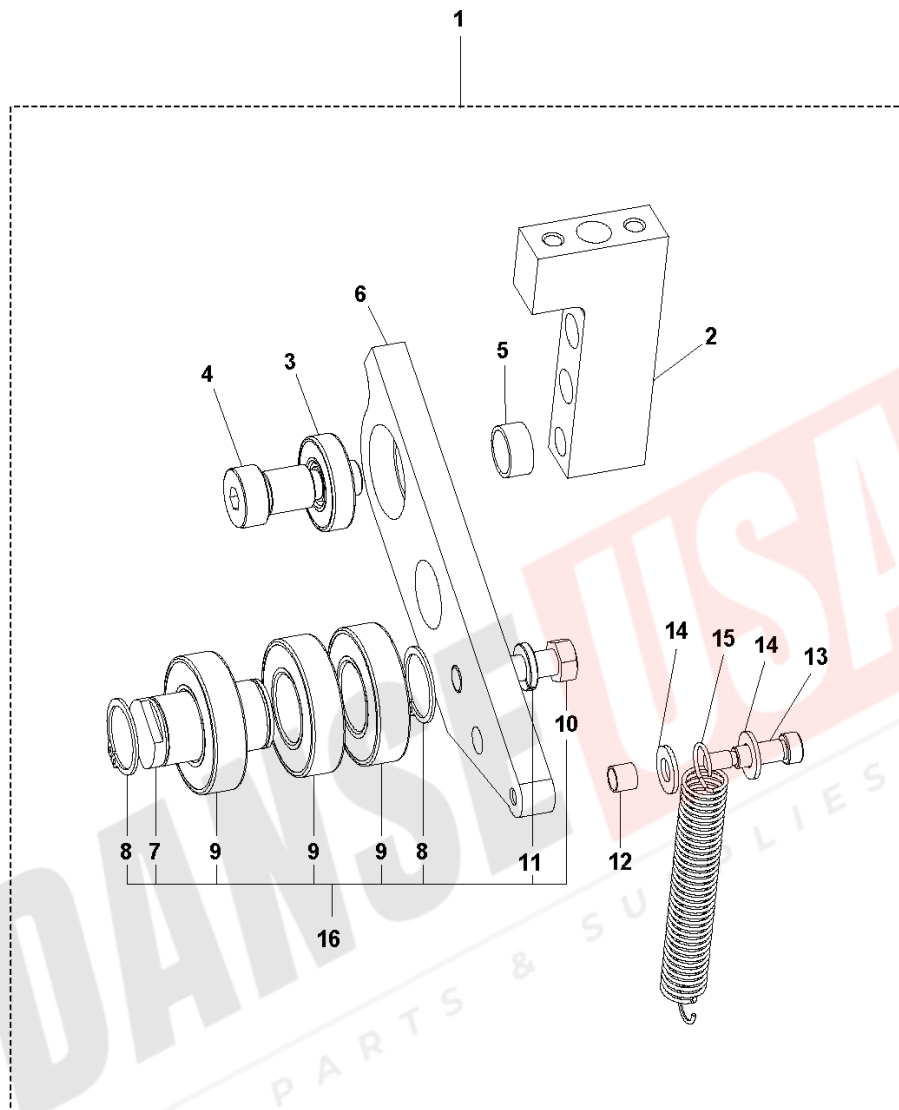
**E** SOFF CUT X5000  
BLADE IDLER PULLEY



Ref	Part No	Description	Remark	QTY KIT
1	579 87 66-01	SERVICE PARTS SYSTEM		1
2	505 66 45-01	BLOCK. IDLER MOUNT		1 1
3	505 71 46-02	SPACER		1 1
4	505 66 39-01	IDLER PULLEY ARM		1 1
5	505 71 79-01	BUSHING		1 1
6	505 73 63-01	BALL BEARING		4 1, 16
7	505 73 60-01	BALL BEARING		1 1
8	505 72 62-01	BOLT		1 1
9	505 72 64-01	BOLT		1 1
10	539 99 01-88	WASHER		2 1
11	505 79 69-01	SPRING		1 1
12	505 66 50-01	SHAFT		1 1, 16
13	505 82 11-01	BOLT		1 1, 16
14	505 73 11-01	WASHER		1 1, 16
15	542 20 62-05	SNAP RING		2 1, 16
16	505 48 45-02	PULLEY		1 1

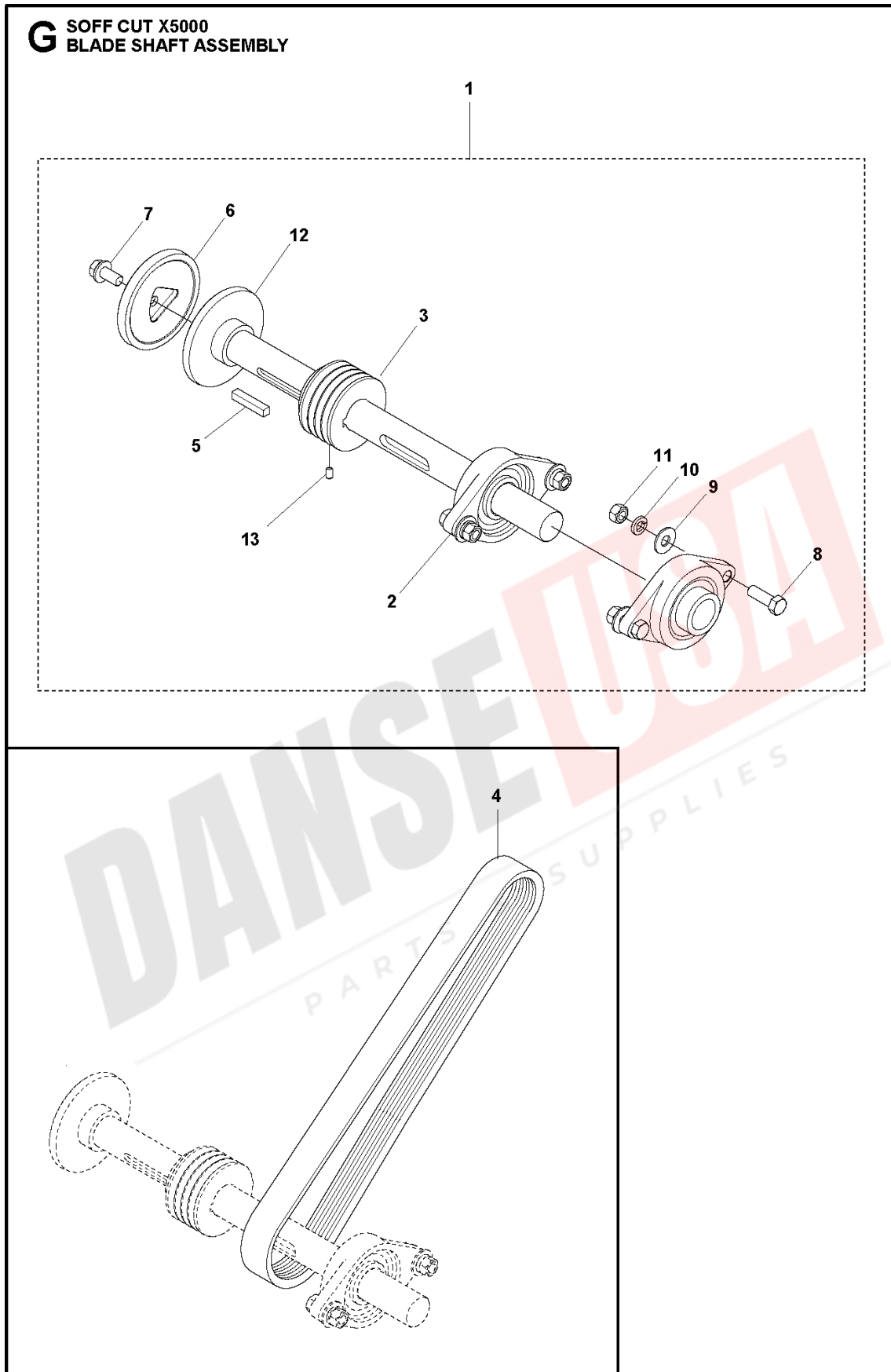
**DANSE USA**  
PARTS & SUPPLIES

**F** SOFF CUT X5000  
PUMP IDLER PULLEY



Ref	Part No	Description	Remark	QTY KIT
1	510 27 18-01	BELT TENSIONER ASSY		1
2	505 71 44-01	BLOCK		1
3	505 73 60-01	BALL BEARING		1
4	505 72 62-01	BOLT		1
5	505 71 46-02	SPACER		1
6	505 70 69-01	ARM		1
7	505 70 68-01	SHAFT		1
8	542 20 62-05	SNAP RING		2
9	505 73 63-01	BALL BEARING		3
10	505 79 58-01	BOLT		1
11	505 73 10-01	WASHER		1
12	505 71 79-01	BUSHING		1
13	505 72 64-01	BOLT		1
14	539 99 01-88	WASHER		2
15	505 77 46-01	SPRING		1
16	505 48 34-01	BEARING KIT		1

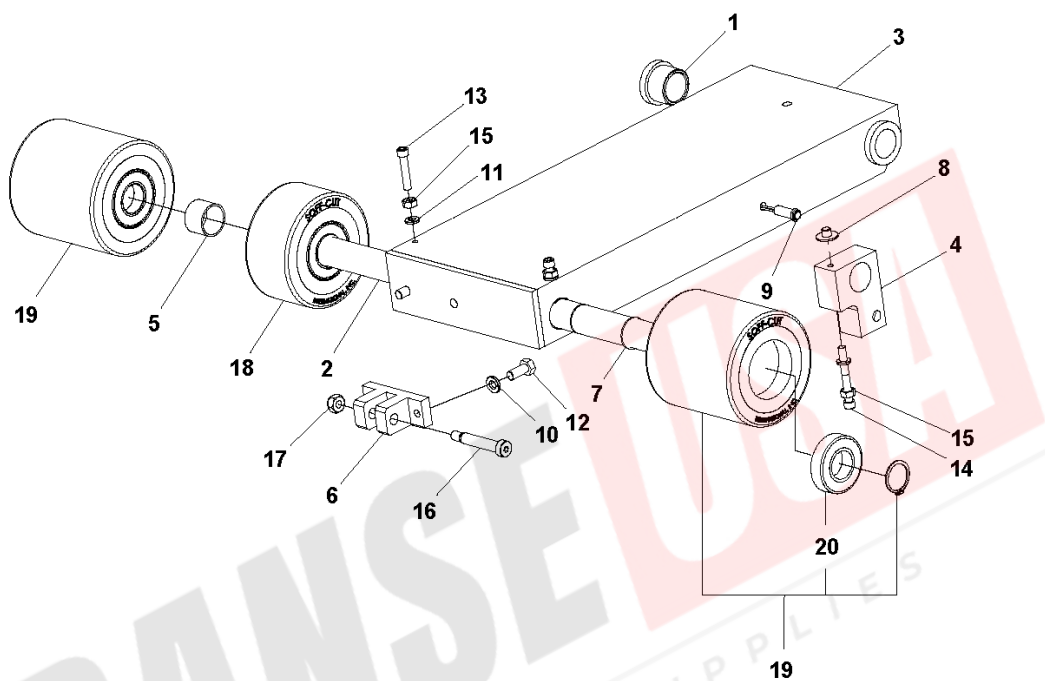
**DANSE USA**  
PARTS & SUPPLIES



Ref	Part No	Description	Remark	QTY KIT	
1	510 27 22-01	BLADE SHAFT		1	
2	505 77 41-01	BLADE SHAFT		2	1
3	582 04 66-01	PULLEY	Machines with S/N before 001317909001 needs to buy both pos 3 and 4	1	1
4	542 16 66-29	V-BELT	Machines with S/N before 001317909001 needs to buy both pos 3 and 4	1	
5	510 32 69-01	KEY		1	1
6	505 49 15-06	WASHER		1	1
7	505 48 37-01	BOLT		1	1
8	505 82 11-01	BOLT		4	1
9	505 73 14-01	WASHER		4	1
10	505 73 11-01	WASHER		4	1
11	505 73 33-01	NUT		4	1
12	505 57 32-05	SHAFT		1	1
13	542 02 05-50	SCREW		1	



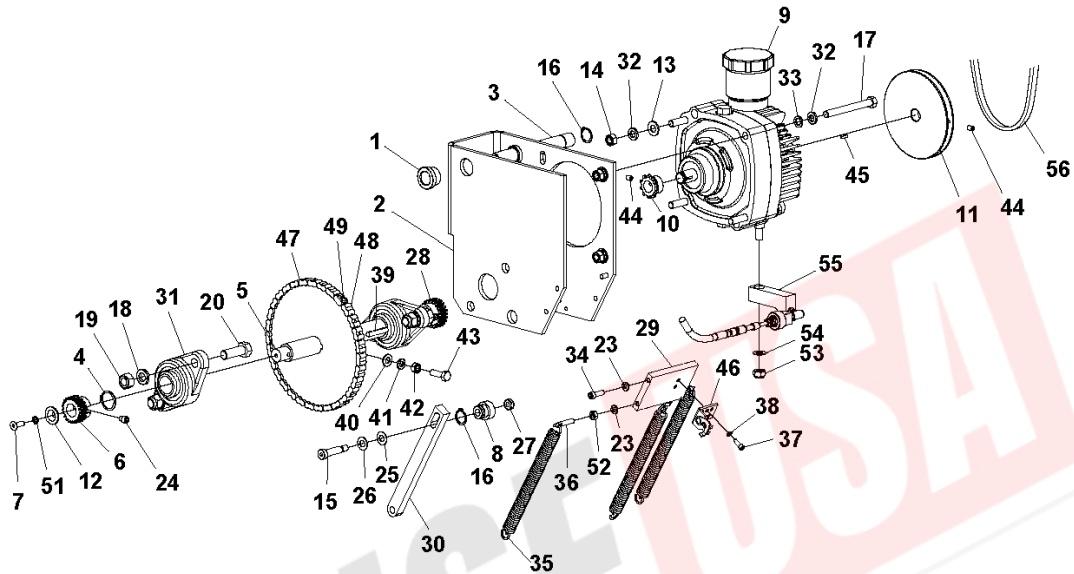
**H** SOFF CUT X5000  
FRONT WHEEL CARRIAGE



Ref	Part No	Description	Remark	QTY KIT
1	505 70 51-01	BUSHING		2
2	505 76 40-01	AXLE		1
3	505 66 01-01	WHEEL		1
4	505 66 03-01	BLOCK		1
5	505 76 41-01	SPACER		1
6	505 75 69-01	BRACKET		1
7	542 20 62-05	SNAP RING		1
8	505 62 53-01	BUTTON		1
9	505 75 43-01	SWITCH		1
10	505 63 30-01	WASHER		2
11	505 63 28-01	WASHER		3
12	539 97 69-34	SCREW		2
13	505 62 80-01	BOLT		2
14	505 72 89-01	BOLT		1
15	505 63 19-01	NUT		3
16	505 77 15-01	BOLT		1
17	539 99 07-17	NUT		1
18	505 86 92-01	WHEEL ASSY		1
19	505 86 91-01	WHEEL ASSY		2
20	505 73 63-01	BALL BEARING		6

**DANSE USA**  
PARTS & SUPPLIES

**J** SOFF CUT X5000  
PUMP ASSEMBLY

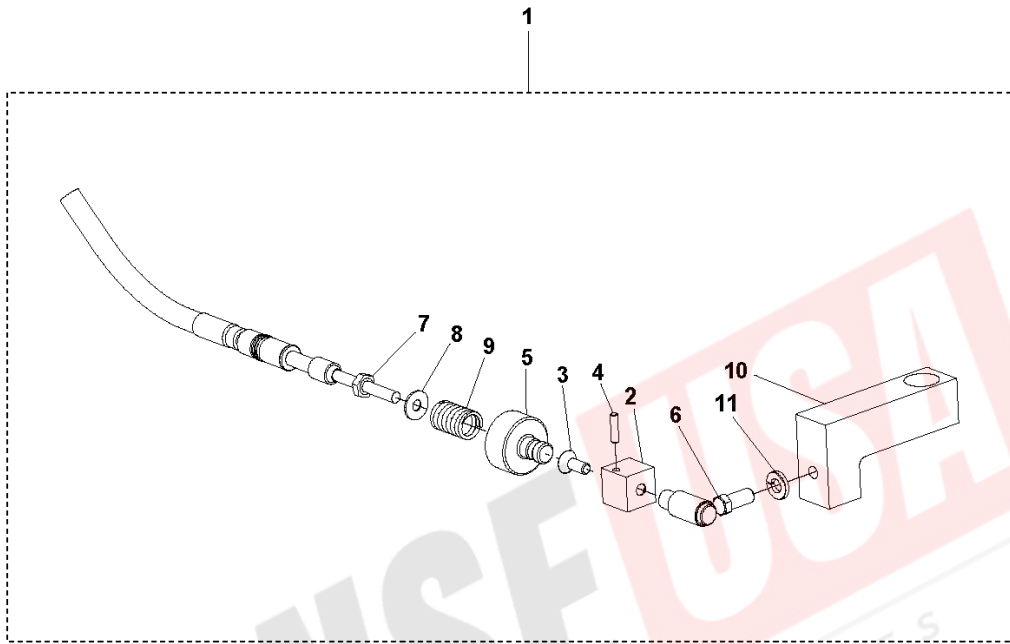


## PUMP

SOFF CUT 5000, 2022-09

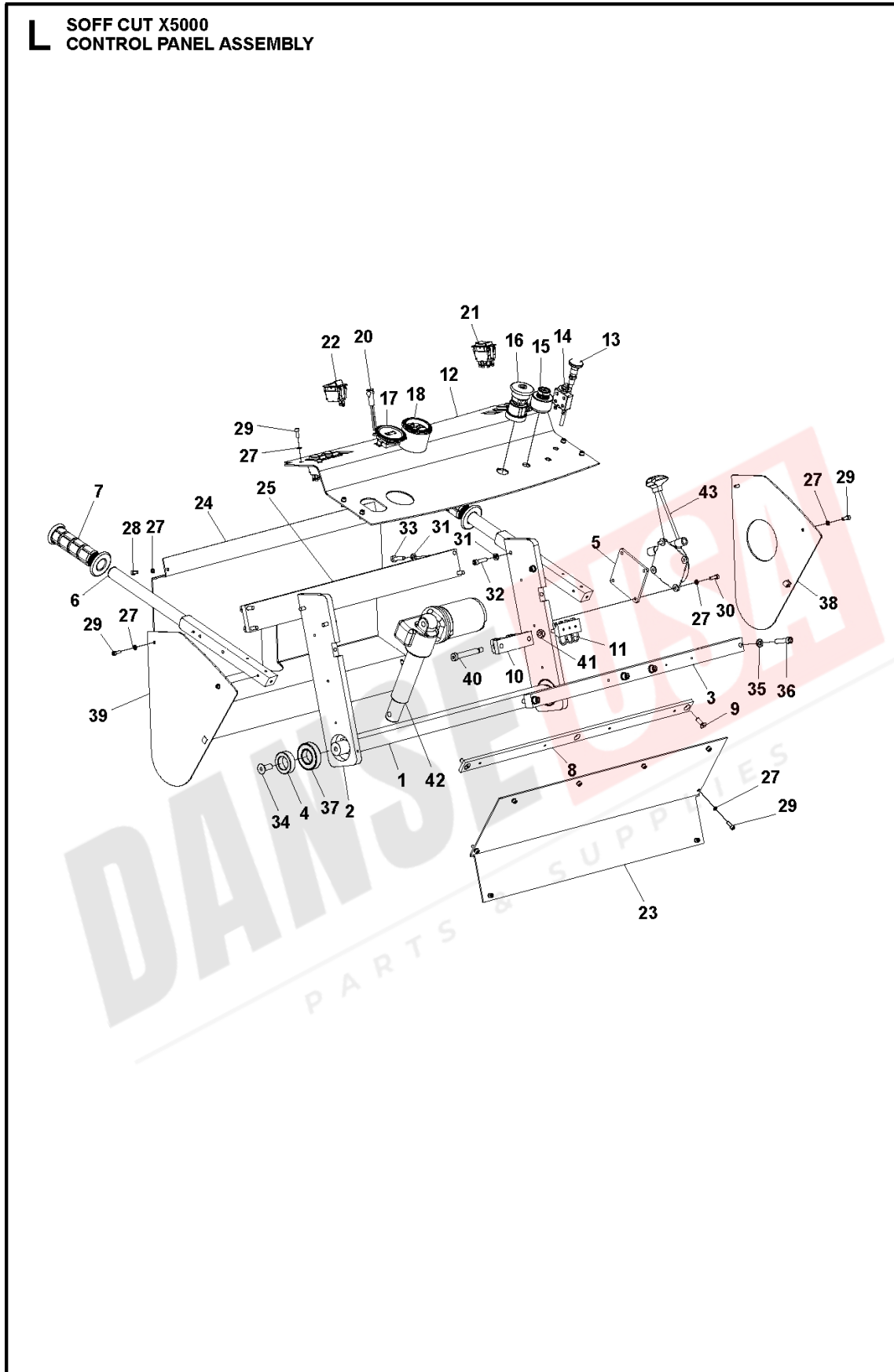
Ref	Part No	Description	Remark	QTY KIT
1	505 58 69-01	BUSHING		2
2	505 65 82-01	FRAME		1
3	505 65 87-01	SHAFT		1
4	542 20 62-05	SNAP RING		2
5	505 76 47-01	DRIVE SHAFT		1
6	505 60 24-01	GEAR		1
7	505 62 86-01	SCREW		2
8	505 65 88-01	BUSHING		1
9	531 07 57-01	HYDRAULIC PUMP	Series 7	1
10	587 65 99-02	SPROCKET	Heat treated	1
11	587 93 54-01	PULLEY	Use 587935401 2015 forward. Prior to 2015, use 505739801. 1/3V 5.00 X 17 MM	1
12	505 76 48-01	WASHER		2
13	539 99 05-17	WASHER	Flat .375	4
14	539 99 01-30	NUT		4
15	505 82 07-01	BOLT		1
16	505 73 35-01	SNAP RING		2
17	539 30 08-70	NLA HCS 3/8-16 X 3-1/2 GR 5 ZN		4
18	505 73 11-01	WASHER		4
19	523 32 77-01	NUT		4
20	505 82 11-01	BOLT		4
24	505 77 27-01	SCREW		4
25	505 63 45-01	WASHER		1
23	505 63 28-01	WASHER		6
26	505 63 42-01	WASHER		1
27	505 63 17-01	NUT		1
28	505 77 70-01	GEAR		1
29	505 65 86-01	PLATE. PUMP SUPPORT		1
30	505 65 84-01	ARM		1
31	505 68 94-01	BEARING		2
32	505 73 10-01	WASHER		8
33	505 72 40-01	WASHER		4
34	505 62 78-01	BOLT		2
35	505 77 52-01	SPRING		3
36	505 77 45-01	ANCHOR		3
37	505 72 96-01	BOLT		2
38	505 63 31-01	WASHER		2
39	510 31 81-01	KEY		1
40	539 99 01-88	WASHER		1
41	505 63 30-01	WASHER		1
42	505 73 24-01	NUT		1
43	539 99 02-09	SCREW		1
44	542 02 05-68	SCREW	SHSS, .25-20 x .375 HK	1
45	539 30 07-49	KEY		2
46	505 66 64-01	BRACKET		1
47	505 73 94-01	SPROCKET		1
48	587 70 66-01	KIT		1
49	505 73 96-01	LINK		1
52	505 63 19-01	NUT		3
53	539 97 69-79	NUT		1
54	505 63 42-01	WASHER		1
55	505 86 23-01	CONTROL		1
56	505 48 40-03	BELT		1
51	505 68 62-01	WASHER		2

**K** SOFF CUT X5000  
SPEED CONTROL CABLE



Ref	Part No	Description	Remark	QTY KIT
1	505 86 23-01	CONTROL		1
2	505 65 89-01	CONTROL CABLE		1 1
3	505 72 99-01	SCREW		1 1
4	505 63 37-01	PRECISION DOW PIN STL 1/8 X 1/		1 1
5	505 65 90-01	FITTING		1 1
6	505 82 35-01	BALL JOINT		1 1
7	505 82 30-01	CONTROL CABLE		1 1
8	505 72 53-01	WASHER		1 1
9	505 77 51-01	SPRING		1 1
10	505 71 49-01	ARM		1 1
11	505 63 28-01	WASHER		1 1

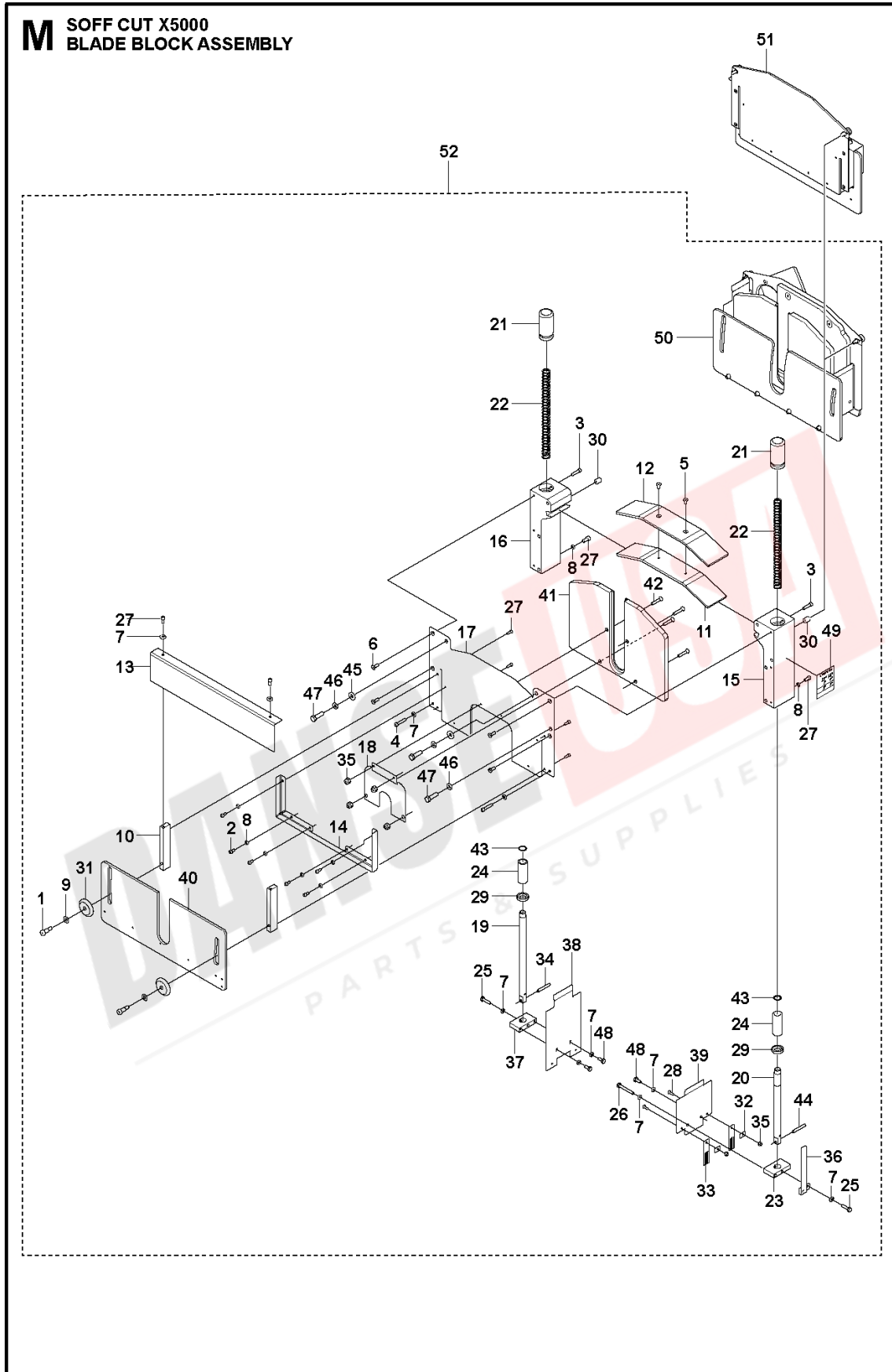
**DANSE USA**  
PARTS & SUPPLIES



## CONTROL PANEL

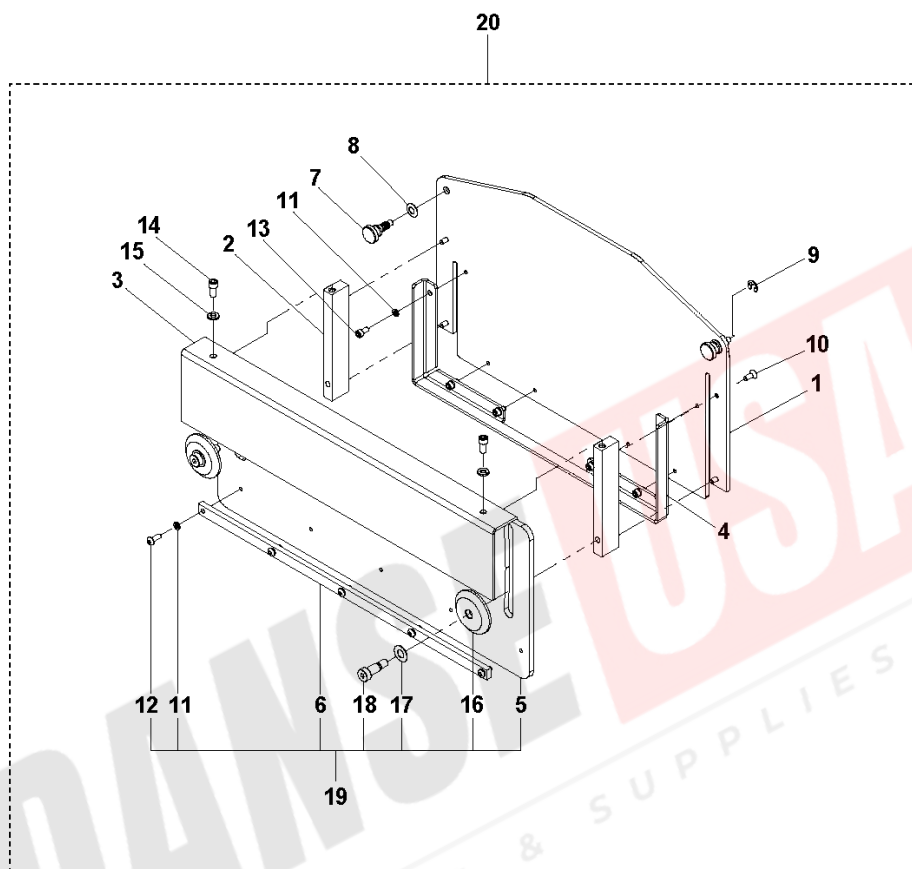
SOFF CUT 5000, 2022-09

Ref	Part No	Description	Remark	QTY KIT
1	505 65 79-01	SHAFT. CONTROL PANEL PIVOT		1
2	505 65 72-01	ARM. CP PIVOT		2
3	505 65 71-01	ACTUATOR		1
4	505 65 80-01	SPACER		2
5	505 65 81-01	SPACER		1
6	505 65 78-01	SHAFT		2
7	505 86 30-01	X150 HANDLE GRIPS	Kit, handle grip (2-pack)	1
8	505 75 85-01	CROSSBAR		1
9	505 62 86-01	SCREW		2
10	505 75 70-01	ACTUATOR		1
11	505 75 27-01	BLOCK		1
12	505 65 73-01	PANEL		1
13	505 69 50-01	CABLE		1
14	505 60 51-01	CIRCUIT BREAKER		1
15	505 79 76-01	KEY SWITCH		1
16	505 70 44-01	STOP SWITCH		1
17	505 75 02-02	HOUR METER		1
18	505 70 43-01	METER		1
20	505 84 60-01	LIGHT		1
21	590 53 25-01	SWITCH KIT	Kit	4
22	589 66 90-01	TOGGLE SWITCH	Rocker DP-ON-OFF	1
23	505 65 76-01	PANEL. CONTROL FRONT		1
24	505 65 77-01	PANEL. CONTROL REAR		1
25	505 66 47-01	CROSS BAR. CP. REAR		1
27	505 63 31-01	WASHER		26
28	505 62 77-01	BOLT		4
29	505 72 96-01	BOLT	SHCS 10-32 X 1/2 S.S.	20
30	505 72 97-01	BOLT		2
31	505 63 28-01	WASHER		8
32	505 62 79-01	BOLT		4
33	505 72 73-01	BOLT		4
34	510 32 51-01	BOLT		2
35	505 63 30-01	WASHER		4
36	542 16 26-99	SCREW	SHCS, .3125-18 x 1.25	4
37	505 73 63-01	BALL BEARING	Ball bearing, 1"ID, R16-2RS	2
38	505 65 75-01	PANEL		1
39	505 65 74-01	PANEL. CONTROL RIGHT SIDE		1
40	505 62 72-01	BOLT	Bolt, SHSB 3/8 X 2 1/4	1
41	539 99 07-17	NUT		1
42	505 84 49-02	HANDLE		1
43	505 82 36-01	CONTROL LEVER		1



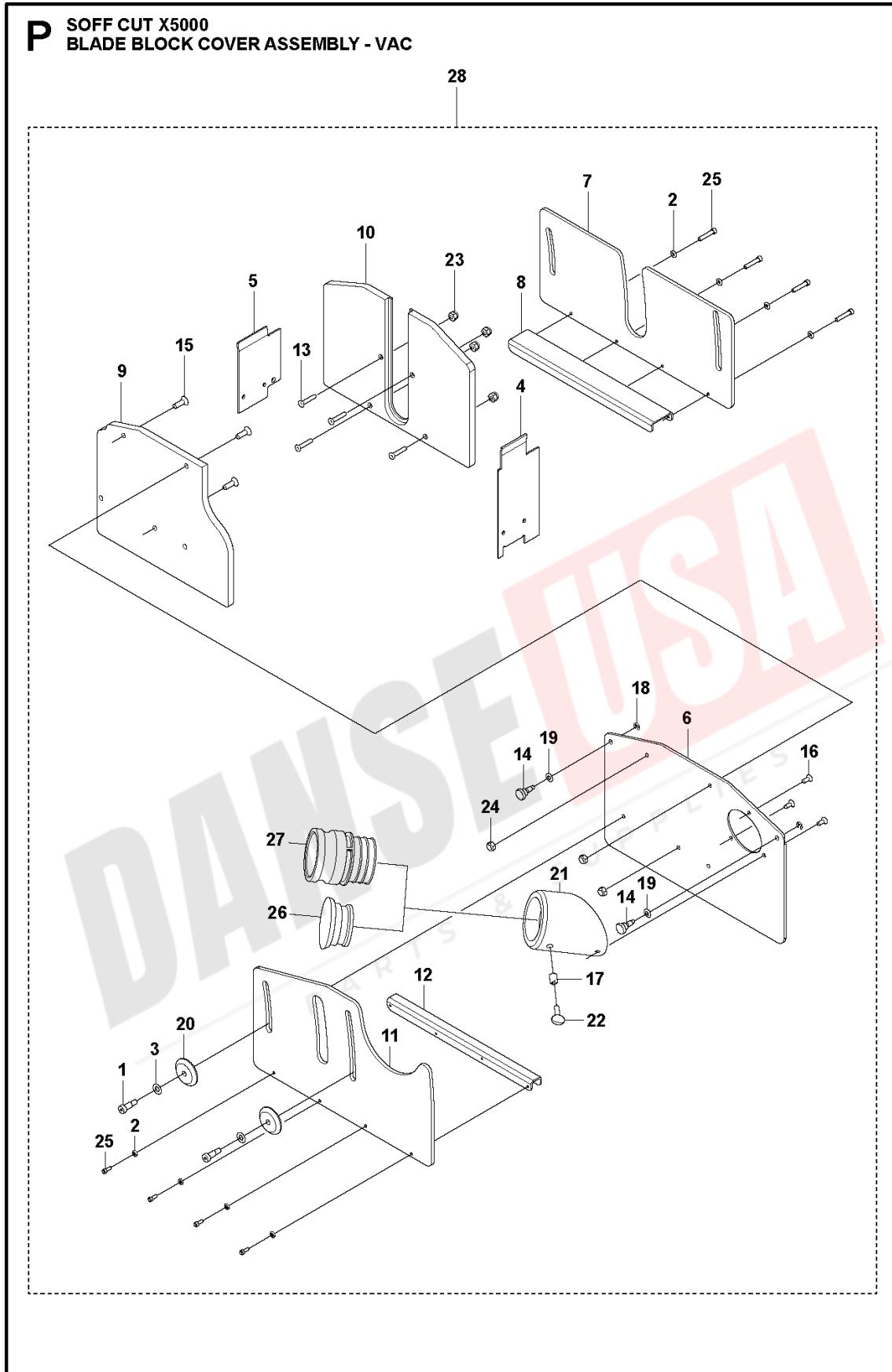
Ref	Part No	Description	Remark	QTY	KIT
1	505 62 71-01	BOLT	SHSH bolt 3/8 X 5/8 BLK STL	4	52
2	505 62 77-01	BOLT	SHCS 10-32 X .375 S.S.	4	52
3	505 62 79-01	BOLT	SHCS .25-20 X 1 S.S.	2	52
4	505 62 80-01	BOLT	SHCS .25-20 X 1.25 S.S.	2	52
5	505 62 85-01	SCREW	FHS 1/4-20 X 1/2 S.S.	2	52
6	505 62 86-01	SCREW	FHS 1/4-20 X 3/4 S.S.	4	52
7	505 63 28-01	WASHER	.25 SPLIT SS	8	52
8	505 63 31-01	WASHER	#10 S.S.	12	52
9	505 63 42-01	WASHER	3/8" X .03THK FLAT S.S.	2	52
10	505 66 15-01	BLOCK	Lexan mount	2	52
11	505 66 17-01	COVER	B.B. Inner	1	52
12	505 66 18-01	COVER	B.B. Outer	1	52
13	505 66 19-01	COVER	Inne angle diverter	1	52
14	505 66 22-01	BRACKET	B.B Angle diverter	1	52
15	505 66 23-01	BLOCK	B.B.	1	52
16	505 66 24-01	BLOCK	B.B.	1	52
17	505 66 25-01	COVER	B.B.	1	52
18	505 66 29-01	COVER	Belt access	1	52
19	505 66 33-01	SHAFT	Front blade block X5000	1	52
20	505 66 34-01	SHAFT	Rear blade block X5000	1	52
21	505 66 35-01	CAP	B.B. Shaft	2	52
22	505 66 37-01	SPRING	B.B.	2	52
23	505 66 49-01	BLOCK	B.B.	1	52
24	505 66 78-01	SHAFT	750X1.00X 2.50, Bronze	2	52
25	505 72 73-01	BOLT	HHB, 1/4-20 X 1 S.S.	2	52
26	505 72 81-01	BOLT	HHB, 1/4-20 X 2 ALL THRD S.S.	1	52
27	505 72 96-01	BOLT	SHCS 10-32 X 1/2 S.S.	14	52
28	505 72 99-01	SCREW	FHS 10-32 X 1/2 S.S.	1	52
29	505 73 80-01	SEAL	3/4" Shaft	2	52
30	505 74 83-01	INSERT	S.S.	3	52
31	505 76 17-01	WASHER	Lexan cover	4	52
32	505 76 91-01	BAR	Mounting, small dust flap	2	52
33	505 76 92-01	FLAP	Small	2	52
34	505 77 40-01	PIN	1/4 X 1.25 STEEL	1	52
35	505 82 22-01	NUT	Nyloc #10-32 S.S.	4	52
36	505 83 17-01	ARM	X4000	1	52
37	505 83 98-01	BLOCK	Shaft collar, B.B.	1	52
38	510 32 35-01	BRACKET	Front diverter, vacuum	1	52
39	510 32 36-01	DIVERTER. VACUUM REAR		1	52
40	510 32 44-01	LEXAN. VACUUM INNER. X5000 (VA		1	52
41	510 32 47-01	BLOCK	Inner, plastic	1	52
42	510 32 55-01	SCREW	FHS 10-32 X 1 1/4 S.S.	4	52
43	541 40 14-72	RING	Spiral .042" T	2	52
44	587 91 82-01	PIN	Groove E, 1/4" X 2"	1	52
45	539 99 01-22	WASHER	Flat sae .375	3	52
46	505 73 10-01	WASHER	3/8 S.S.	4	52
47	539 97 69-41	SCREW	HHCS, .375-16 x 1.25 GR 5 Z/P	4	52
48	505 62 74-01	BOLT	HHB, 1/4-20 X 5/8 S.S.	3	52
49	510 32 57-01	LABEL	Depth guage	1	52
50	505 49 40-07	COVER	Vacuum Blade Block cover Soff-Cut 5000	1	52
51	505 86 25-01	BLADE	Non-VAC Blade Block cover Soff-Cut 5000	1	52
52	595 84 41-01	BLADE BLOCK		1	

**N** SOFF CUT X5000  
BLADE BLOCK COVER ASSEMBLY - NON VAC



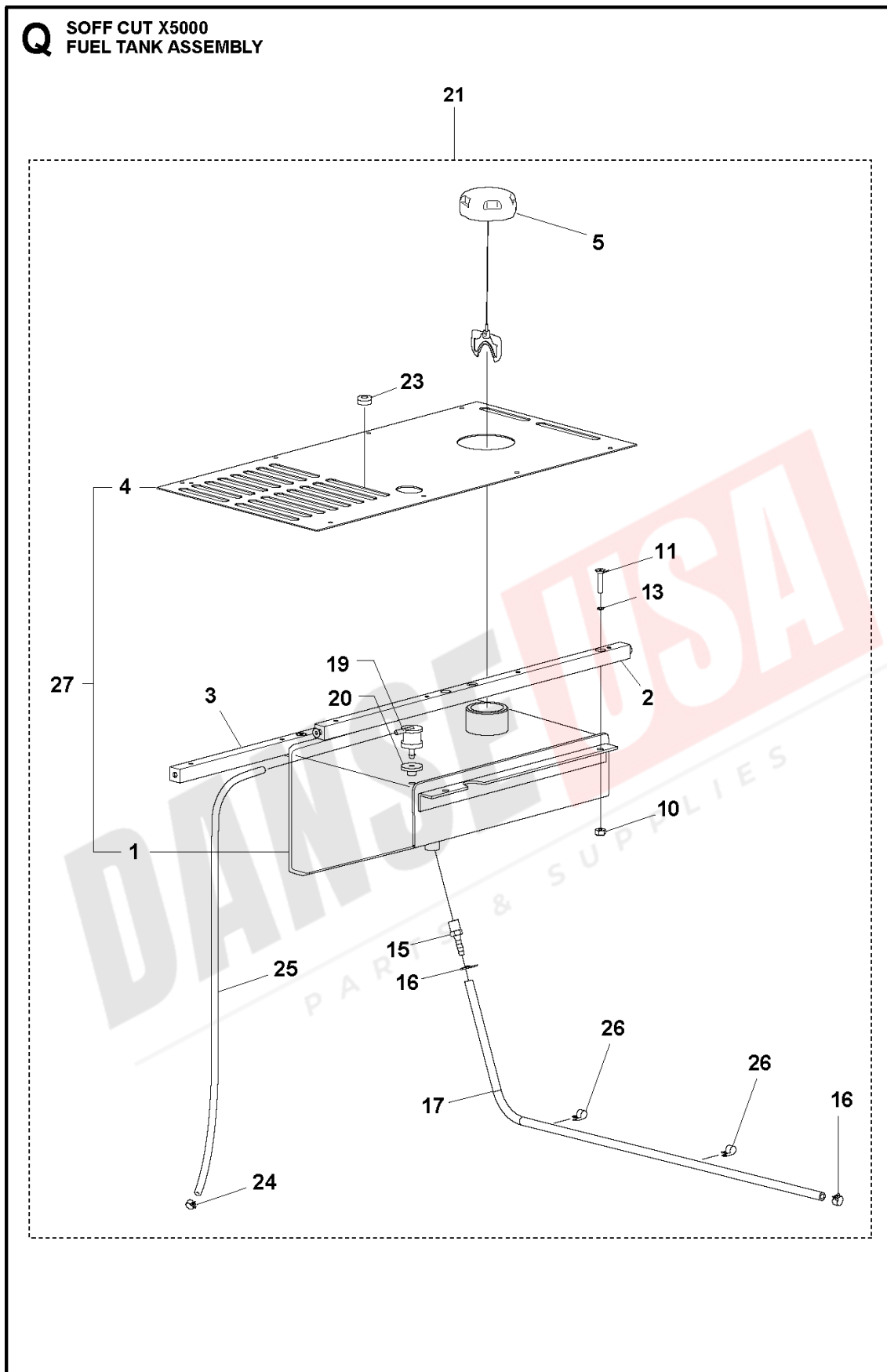
Ref	Part No	Description	Remark	QTY	KIT
1	505 66 30-01	FRONT COVER		1	20
2	505 66 15-01	BLOCK		2	20
3	505 66 21-01	COVER		1	20
4	505 66 22-01	BRACKET		1	20
5	505 66 32-01	COVER		1	19, 20
6	505 66 43-01	STIFFENER		1	19, 20
7	505 53 63-01	KNOB		2	20
8	505 53 64-01	WASHER		2	20
9	505 53 65-01	E-CLIP		2	20
10	505 72 99-01	SCREW		4	20
11	505 63 31-01	WASHER		11	19, 20
12	505 62 98-01	SCREW		5	19, 20
13	505 62 77-01	BOLT		6	20
14	505 72 23-01	BOLT		2	20
15	505 63 28-01	WASHER		2	20
16	505 76 17-01	WASHER		2	19, 20
17	505 63 42-01	WASHER		2	19, 20
18	505 62 71-01	BOLT		2	19, 20
19	505 88 98-01	PROTECTIVE COVER		1	20
20	505 86 25-01	BLADE		1	20

**DANSE USA**  
PARTS & SUPPLIES



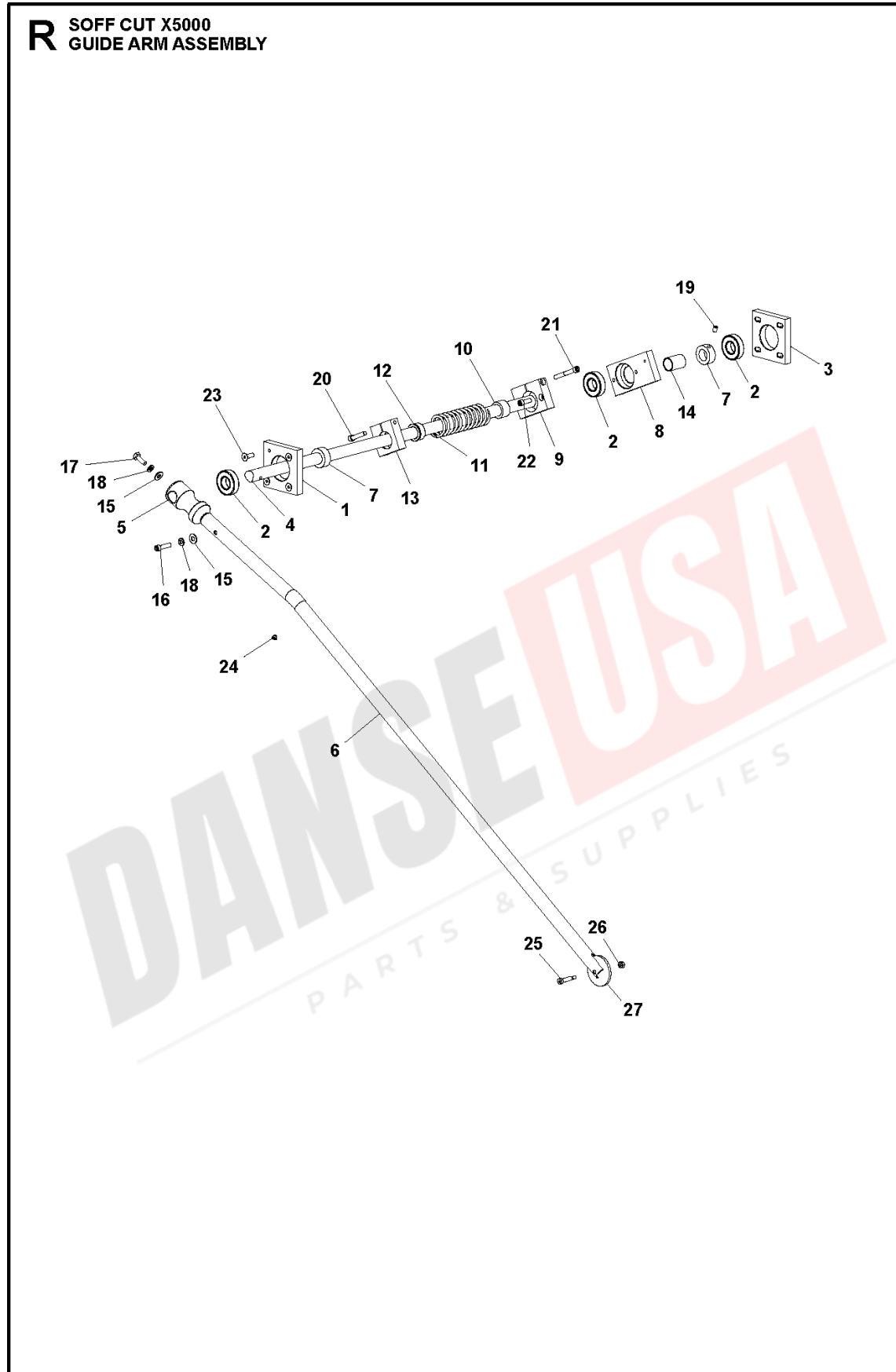
Ref	Part No	Description	Remark	QTY	KIT
1	505 62 71-01	BOLT	SHSH BOLT 3/8 X 5/8 BLK STL	2	28
2	505 63 31-01	WASHER	#10 S.S.	8	28
3	505 63 42-01	WASHER	3/8"X .03THK FLAT S.S.	2	28
4	510 32 35-01	BRACKET	Front diverter, vacuum	1	28
5	510 32 36-01	DIVERTER. VACUUM REAR	Rear diverter, vacuum	1	28
6	510 32 42-01	B.B. COVER W/ DUST PORT.X5000	B.B. cover w/ dust port, X5000	1	28
7	510 32 44-01	LEXAN. VACUUM INNER. X5000 (VA	Inner lexan vacuum, X5000	1	28
8	510 32 45-01	CHANNEL	Inner, X5000 (VAC KIT)	1	28
9	510 32 46-01	VOLUME BLOCK. OUTER. PLASTIC	Outer, plastic	1	28
10	510 32 47-01	BLOCK	Inner, plastic	1	28
11	510 32 48-01	LEXAN. VACUUM COVER	Lexan vacuum	1	28
12	510 32 49-01	CHANNEL	Outer, X5000 (VAC KIT)	1	28
13	510 32 55-01	SCREW	FHS, 10-32 X 1 1/4 S.S.	4	28
14	505 53 63-01	KNOB	Rear panel/blade block	2	28
15	505 73 01-01	SCREW	FHS 5/16-18 X 1 S.S.	3	28
16	505 73 05-01	SCREW	FHS 1/4-20 X 5/8 S.S.	3	28
17	505 74 83-01	INSERT	S.S.	1	28
18	505 53 65-01	E-CLIP	1/4", Zinc-plated	2	28
19	505 53 64-01	WASHER	Belleville, 5/16" S.S.	2	28
20	505 76 17-01	WASHER	Lexan cover	2	28
21	591 35 71-01	TUBE	Vac port - kamloc	1	28
22	505 79 61-01	SCREW	5/16-18 X 3/4 ZINC	1	28
23	505 82 22-01	NUT	Nyloc #10-32 S.S.	4	28
24	539 99 07-17	NUT	Fiber .3125-18 Z/P	3	28
25	541 20 52-52	SCREW	SHCS 10-32 X 1/2 S.S.	8	28
26	593 21 44-01	PLUG	Vac port	1	28
27	502 56 96-03	COUPLING	300-E Male machined	1	28
28	505 49 40-07	COVER	Kit, Vacuum Blade Block cover Soff-Cut 5000	1	

**DANSE**  
PARTS & SUPPLIES



Ref	Part No	Description	Remark	QTY KIT
1	529 50 11-01	TANK		1
2	505 79 20-01	HOOD	Cross bar	1
3	505 79 20-01	HOOD	Cross bar	1
4	577 60 85-01	COVER		1
5	593 01 58-01	FUEL CAP		1
10	539 97 69-78	NUT		4
11	505 77 34-01	SOCKET	Socket screw	4
13	505 63 31-01	WASHER		8
15	541 20 47-99	FITTING		1
16	577 81 35-01	CLAMP		2
17	523 05 08-01	HOSE		1
19	576 61 81-01	TANK VENT		1
20	576 61 82-01	GROMMET		1
21	510 27 15-19	FUEL TANK ASSY		1
23	542 04 72-73	GROMMET		1
24	577 81 35-02	CLAMP		2
25	523 05 08-13	HOSE		1
26	505 63 93-01	CBL CLAMP 1/2 IN.		2
27	534 20 57-01	FUEL TANK		1

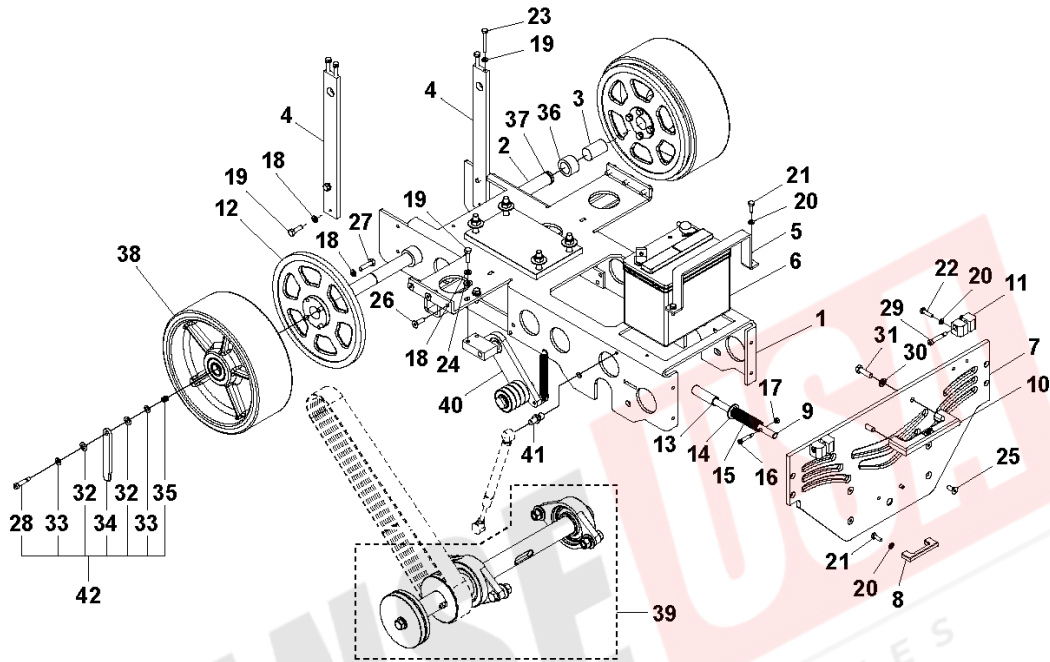
**DANSE USA**  
PARTS & SUPPLIES



Ref	Part No	Description	Remark	QTY KIT
1	505 71 37-01	PLATE		1
2	505 73 61-01	BALL BEARING		3
3	505 71 38-01	PLATE		1
4	505 66 41-01	SHAFT		1
5	505 76 99-01	GUIDE		1
6	505 88 93-01	GUIDE		1
7	505 71 84-01	SHAFT		2
8	505 71 71-01	BLOCK		1
9	505 71 72-01	BLOCK		1
10	505 71 75-01	BUSHING		1
11	505 77 49-01	GUIDE		1
12	505 71 74-01	BUSHING		1
13	505 71 73-01	BLOCK		1
14	505 71 62-01	BUSHING		1
15	505 63 20-01	WASHER		2
16	505 62 79-01	BOLT		1
17	505 62 75-01	BOLT		1
18	505 63 28-01	WASHER		2
19	542 02 05-68	SCREW	SHSS, .25-20 x .375 HK	2
20	505 62 80-01	BOLT		1
21	505 72 89-01	BOLT		1
22	505 62 78-01	BOLT		2
23	505 62 86-01	SCREW		4
24	505 77 57-01	BUMPER		1
25	505 77 17-01	BOLT		1
26	505 63 04-01	NUT		1
27	505 61 42-01	DISC		1

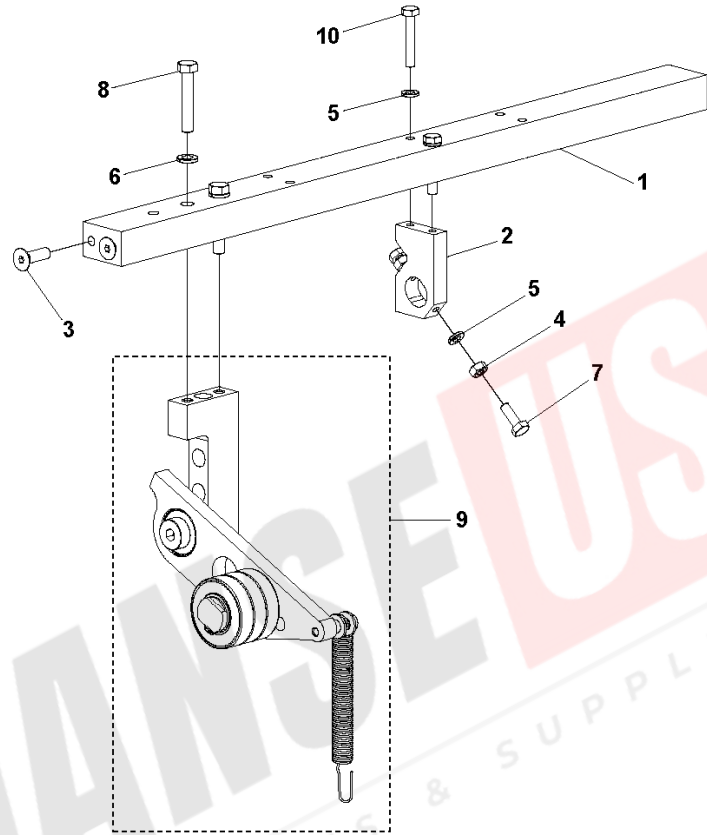
**DANSE USA**  
PARTS & SUPPLIES

**S** SOFF CUT X5000  
MAINFRAME ASSEMBLY



Ref	Part No	Description	Remark	QTY	KIT
1	505 65 70-01	MAINFRAME X5000 (SEND PRINT		1	
2	505 66 02-01	SHAFT		1	
3	505 76 51-01	BUSHING		2	
4	505 65 69-01	ARM. CROSSBAR SUPPORT		2	
5	505 66 06-01	BRACKET		1	
6	505 78 62-01	BATTERY		1	
7	505 66 11-01	FRONT PLATE		1	
8	505 71 42-01	SHAFT		1	
9	505 76 43-01	ARBOR SHAFT		1	
10	505 71 69-01	HANDLE		1	
11	505 65 94-01	BLOCK		2	
12	505 86 98-01	REAR AXLE		2	
13	505 76 44-01	ARBOR LOCK 3/4 X 2.35		1	
14	505 73 14-01	WASHER		1	
15	505 73 72-01	SPRING		1	
16	505 72 59-01	BOLT		1	
17	505 63 04-01	NUT		1	
18	505 63 30-01	WASHER		14	
19	539 99 02-09	SCREW		6	
20	505 63 28-01	WASHER		12	
21	505 62 75-01	BOLT		4	
22	505 68 69-01	BOLT		4	
23	505 72 81-01	BOLT		4	
24	539 99 01-88	WASHER		2	
25	505 62 88-01	SCREW		4	
26	505 73 01-01	SCREW		6	
27	505 72 84-01	BOLT		8	
28	505 72 67-01	BOLT		1	42
29	505 72 66-01	BOLT		2	
30	505 73 10-01	WASHER		2	
31	539 97 69-41	SCREW		2	
32	505 63 45-01	WASHER		2	42
33	505 72 50-01	FLT WSH 5/16 I.D. TRA 512		2	42
34	505 71 85-01	GUIDE		1	42
35	505 63 60-01	SPRING		1	42
36	505 66 42-01	SPACER		2	
37	542 20 62-05	SNAP RING		4	
38	505 87 10-01	WHEEL ASSY		2	
39	510 27 22-01	BLADE SHAFT		1	
40	579 87 66-01	SERVICE PARTS SYSTEM		1	
41	505 73 82-01	BALL JOINT		1	
42	505 88 77-01	ARM		1	

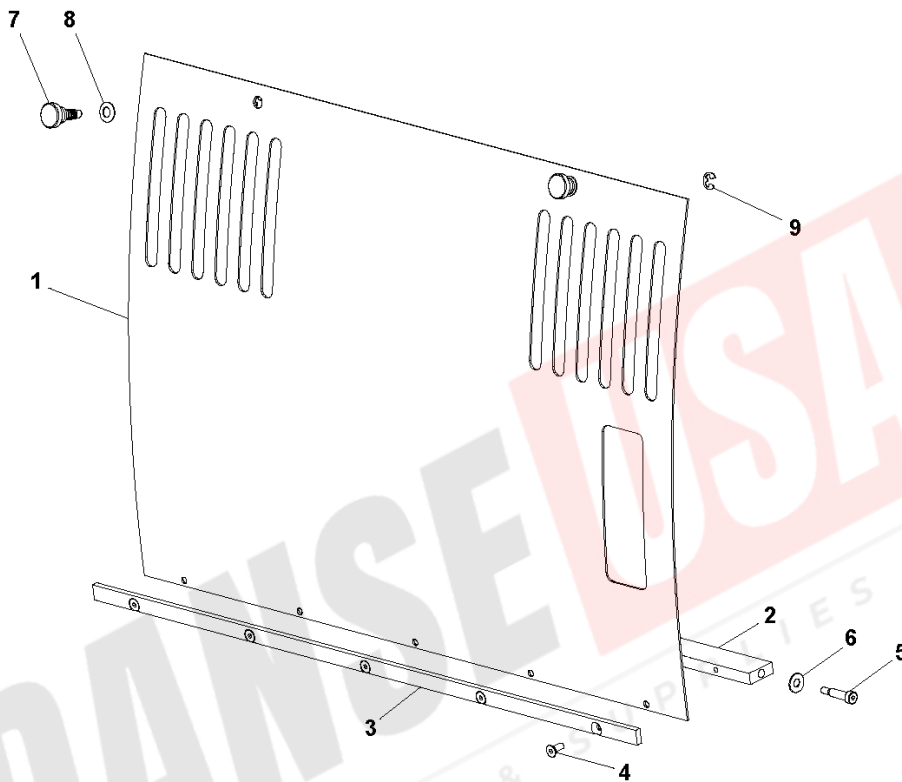
**T** SOFF CUT X5000  
PUMP CROSSBAR ASSEMBLY



Ref	Part No	Description	Remark	QTY KIT
1	505 66 07-01	CROSSBAR		1
2	505 65 83-01	BLOCK		1
3	505 73 01-01	SCREW		4
4	505 63 19-01	NUT		2
5	505 63 28-01	WASHER		4
6	505 63 30-01	WASHER		2
7	505 62 75-01	BOLT		2
8	510 29 84-01	5/16-18 X 1 3/4 HEX BOLT GRD5		2
9	510 27 18-01	BELT TENSIONER ASSY		1
10	505 72 83-01	BOLT		2

**DANSE USA**  
PARTS & SUPPLIES

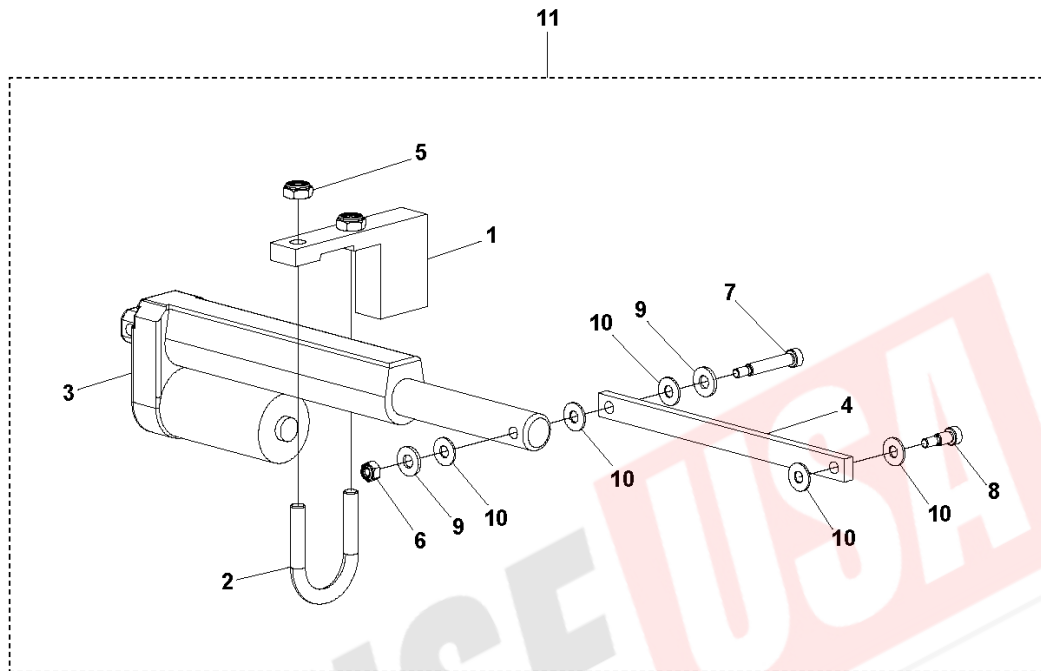
**U** SOFF CUT X5000  
REAR ACCESS ASSEMBLY



Ref	Part No	Description	Remark	QTY KIT
1	505 79 16-01	PANEL		1
2	505 66 08-01	CROSSBAR		1
3	505 76 71-01	BRACE		1
4	505 72 99-01	SCREW		5
5	505 72 58-01	BOLT		2
6	505 63 44-01	WASHER		2
7	505 53 63-01	KNOB		2
8	505 53 64-01	WASHER		2
9	505 53 65-01	E-CLIP		2

**DANSE USA**  
PARTS & SUPPLIES

**V** SOFF CUT X5000  
KIT, GUIDE ACTUATOR

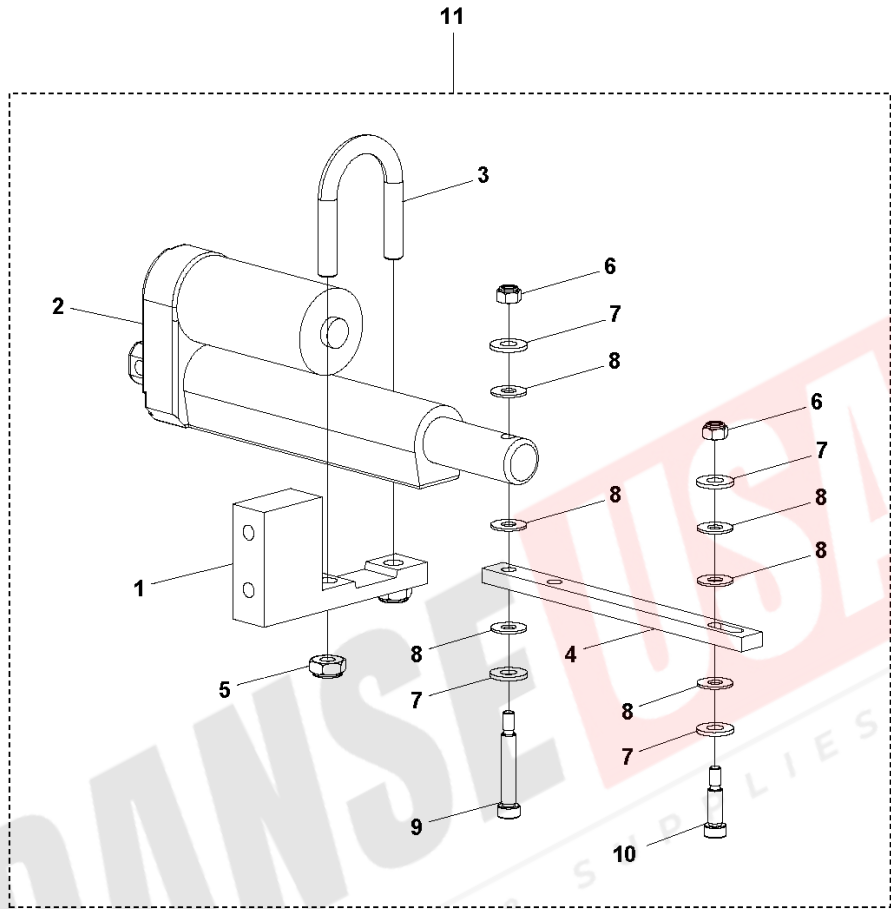


DANSE USA  
PARTS & SUPPLIES

Ref	Part No	Description	Remark	QTY	KIT
1	505 79 24-01	BRACKET		1	11
2	575 42 13-01	CLAMP		1	11
3	579 21 51-01	ACTUATOR		1	11
4	505 76 55-01	LINKAGE		1	11
5	505 63 17-01	NUT		2	11
6	505 63 04-01	NUT		1	11
7	505 81 17-01	BOLT		1	11
8	505 68 64-01	BOLT		1	11
9	505 63 20-01	WASHER		2	11
10	505 63 44-01	WASHER		5	11
11	505 84 80-02	KIT	Complete guide	1	

**DANSE USA**  
PARTS & SUPPLIES

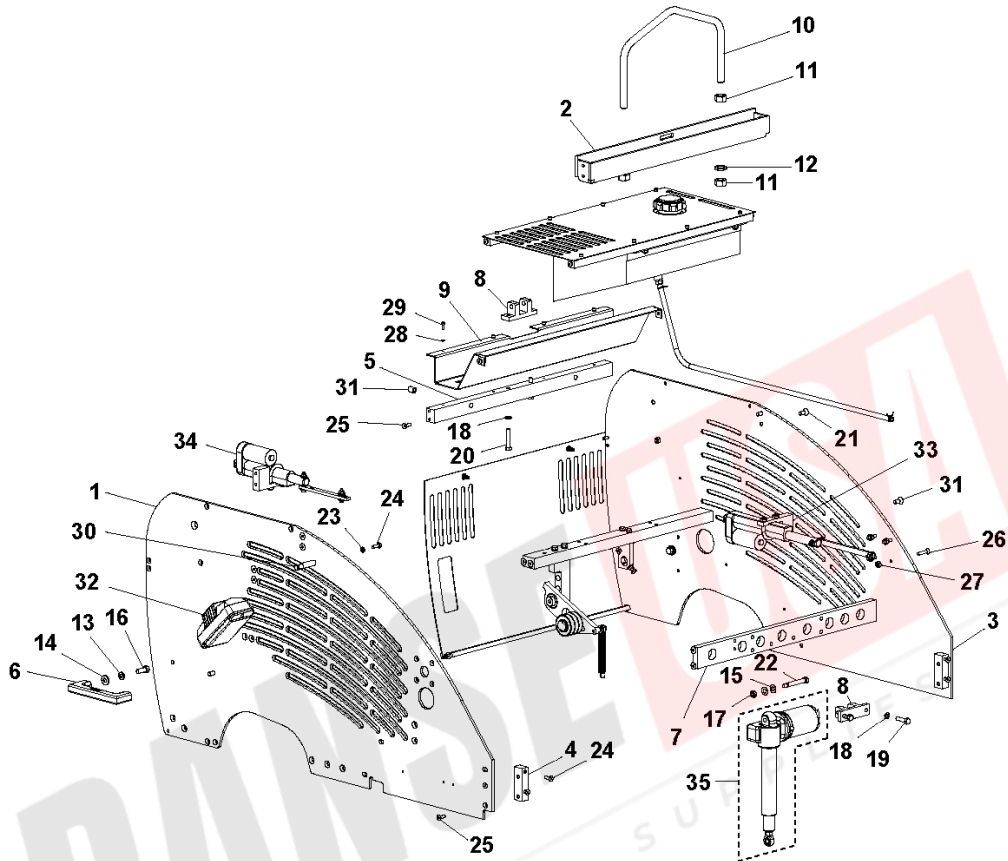
**W** SOFF CUT X5000  
KIT, THROTTLE ACTUATOR



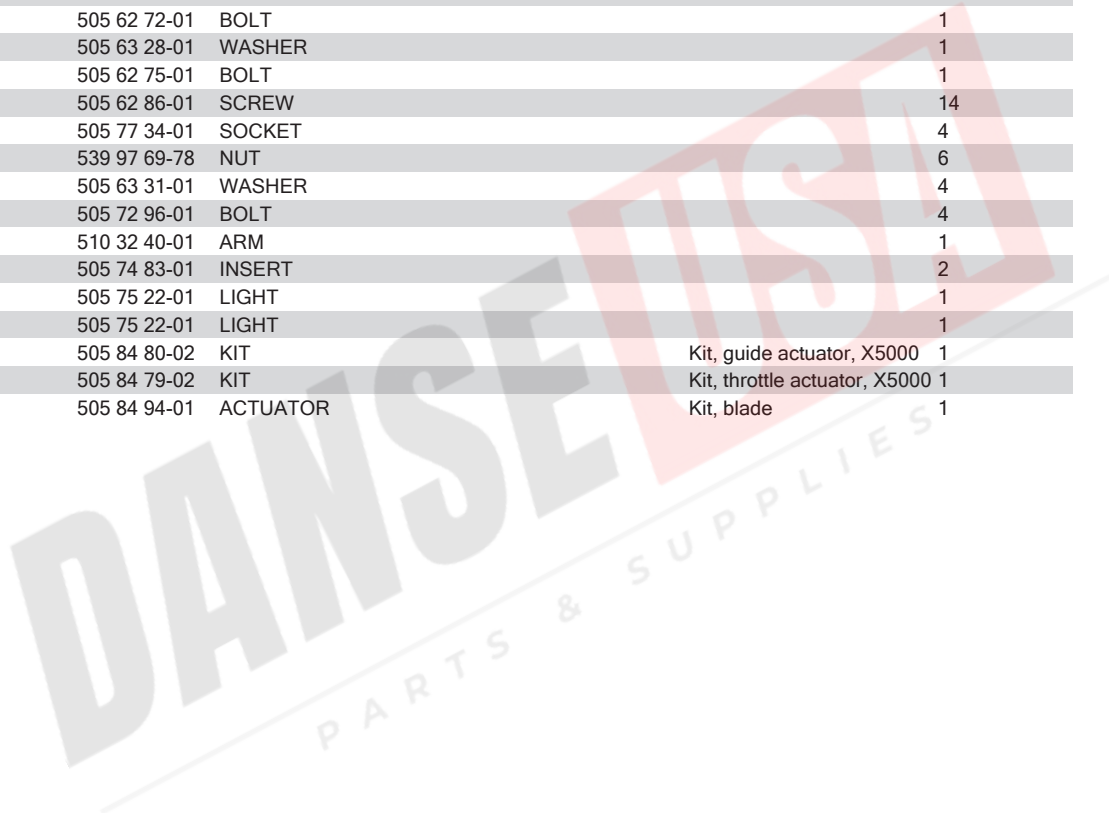
Ref	Part No	Description	Remark	QTY	KIT
1	505 79 24-01	BRACKET		1	11
2	505 74 96-01	ACTUATOR		1	11
3	575 42 13-01	CLAMP		1	11
4	505 79 22-01	LINKAGE		1	11
5	505 63 17-01	NUT		2	11
6	505 63 04-01	NUT		2	11
7	505 63 20-01	WASHER		4	11
8	505 63 44-01	WASHER		4	11
9	505 81 17-01	BOLT		1	11
10	505 72 57-01	BOLT		1	11
11	505 84 79-01	THROTTLE	Complete Throttle Actuator	1	



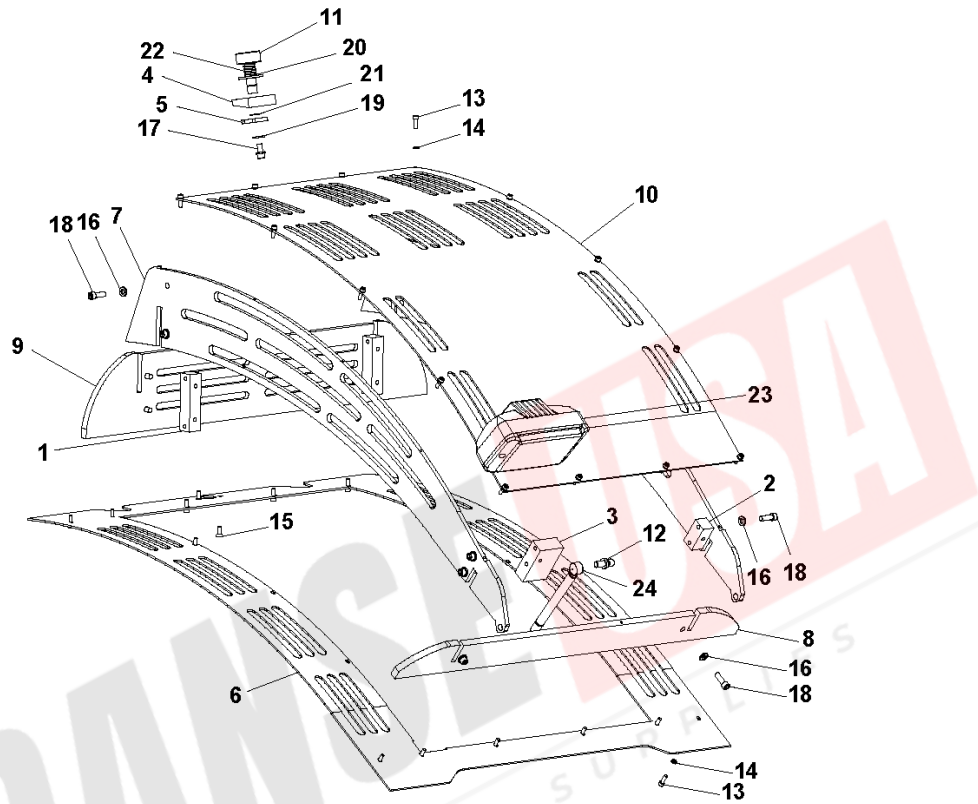
**X** SOFF CUT X5000  
PANEL ASSEMBLY



Ref	Part No	Description	Remark	QTY KIT
1	505 66 10-01	PLATE		1
2	505 66 09-01	CROSSBAR		1
3	505 66 12-01	SIDEPLATE. LEFT		1
4	505 66 05-01	BLOCK. PANEL CORNER MOUNT		2
5	505 75 88-01	CROSSBAR		1
6	505 71 69-01	HANDLE		2
7	505 75 60-01	WHEEL		1
8	505 75 70-01	ACTUATOR		2
9	505 66 13-01	PANEL. REAR BIN		1
10	505 60 70-02	BAR		1
11	510 29 86-01	5/8-18 JAM NUT		6
12	505 73 10-01	WASHER		4
13	539 99 01-22	WASHER		4
14	505 63 45-01	WASHER		2
15	505 63 45-01	WASHER	Delrin, 3/8"	4
16	539 99 05-63	SCREW		1
17	505 63 30-01	WASHER		4
18	505 72 84-01	BOLT		2
19	510 29 84-01	5/16-18 X 1 3/4 HEX BOLT GRD5		2
20	505 62 88-01	SCREW		12
21	505 62 72-01	BOLT		1
22	505 63 28-01	WASHER		1
23	505 62 75-01	BOLT		1
24	505 62 86-01	SCREW		14
25	505 77 34-01	SOCKET		4
26	539 97 69-78	NUT		6
27	505 63 31-01	WASHER		4
28	505 72 96-01	BOLT		4
29	510 32 40-01	ARM		1
30	505 74 83-01	INSERT		2
31	505 75 22-01	LIGHT		1
32	505 75 22-01	LIGHT		1
33	505 84 80-02	KIT	Kit, guide actuator, X5000	1
34	505 84 79-02	KIT	Kit, throttle actuator, X5000	1
35	505 84 94-01	ACTUATOR	Kit, blade	1



**Y** SOFF CUT X5000  
HOOD ASSEMBLY



Ref	Part No	Description	Remark	QTY KIT
1	505 65 91-01	BLOCK. REAR CORNER HOOD		2
2	505 65 92-01	BLOCK		1
3	505 65 93-01	BLOCK		1
4	505 65 95-01	BLOCK		1
5	505 65 96-01	ARM. HOOD LOCK		1
6	510 32 27-01	PANEL. HOOD SKIRT		1
7	505 65 97-01	PLATE		2
8	505 65 98-01	PLATE. FRONT HOOD		1
9	505 65 99-01	PLATE. REAR HOOD		1
10	510 32 29-01	PANEL. TOP HOOD		1
11	505 66 00-01	HOOD KNOB		1
12	505 73 82-01	BALL JOINT		1
13	505 62 82-01	BOLT		32
14	505 63 27-01	WASHER		32
15	505 72 99-01	SCREW		2
16	505 63 28-01	WASHER		15
17	505 72 23-01	BOLT		1
18	505 62 78-01	BOLT		14
19	505 63 20-01	WASHER		1
20	505 73 14-01	WASHER		1
21	505 64 78-01	SNAP RING		1
22	510 32 56-01	SPRING. HOOD LATCH		1
23	505 75 22-01	LIGHT		1
24	505 73 81-01	DAMPER		1

**DANSE USA**  
PARTS & SUPPLIES